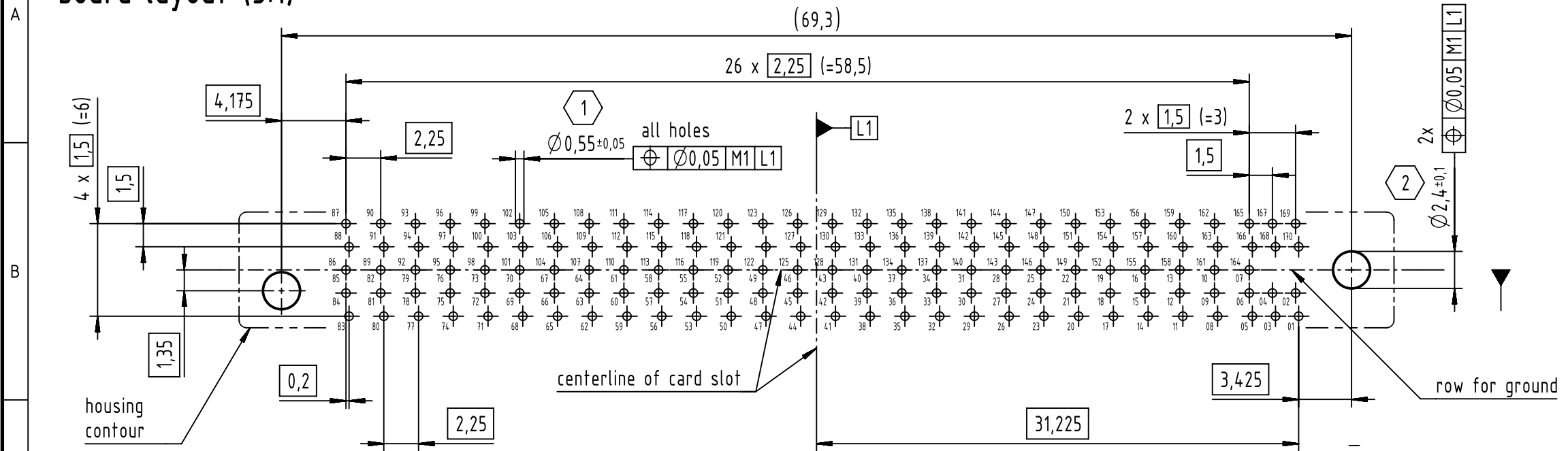
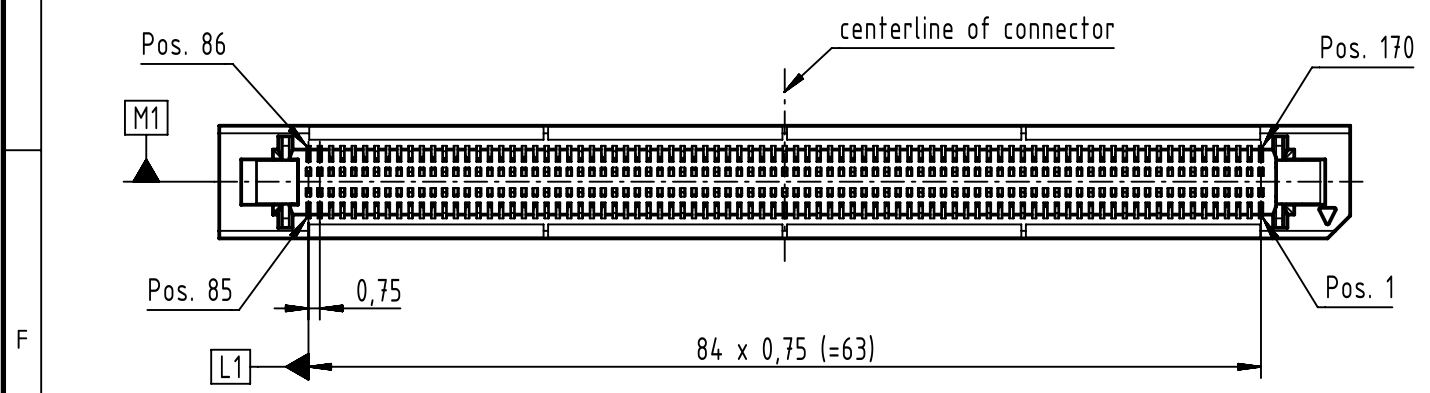
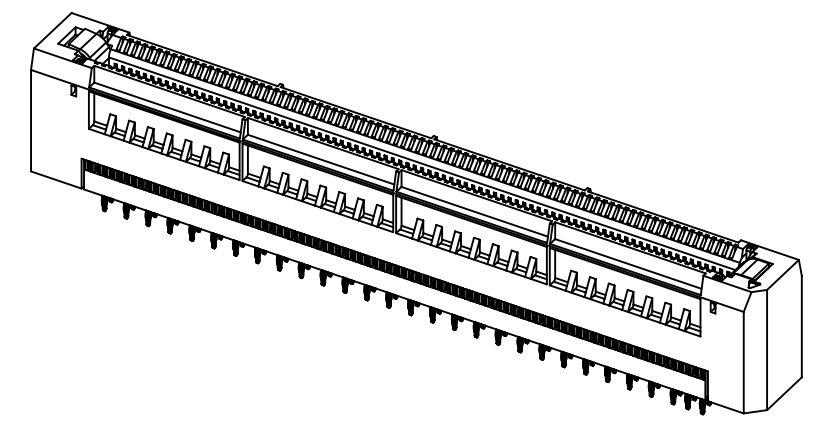
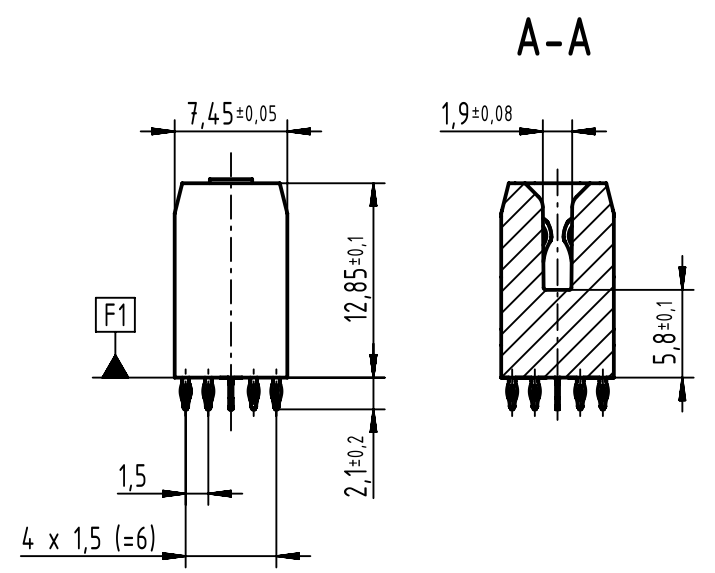
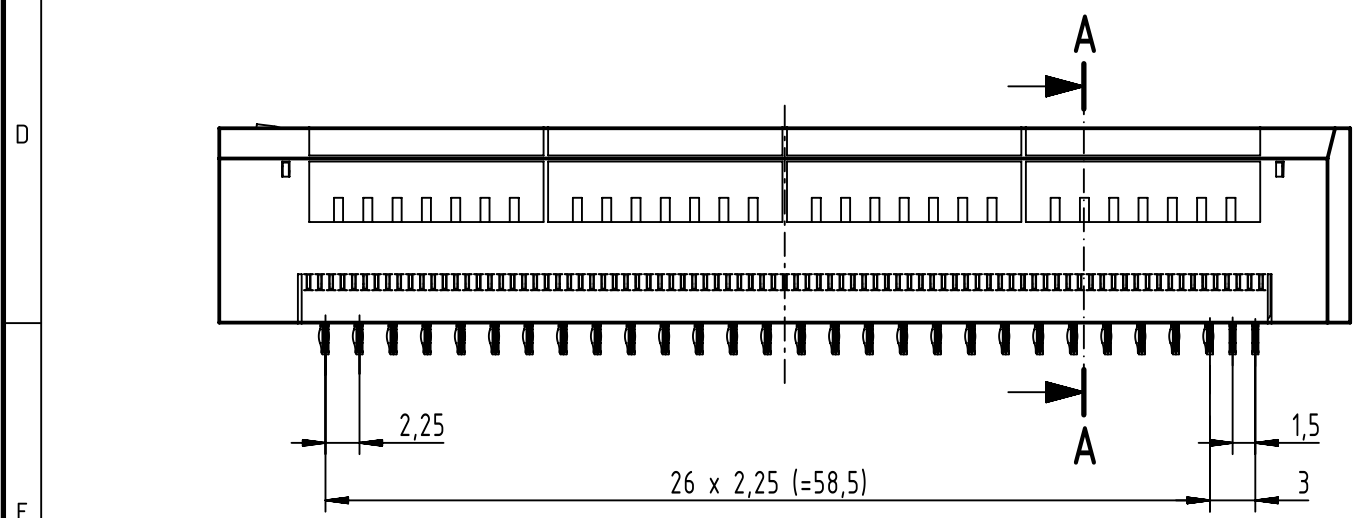
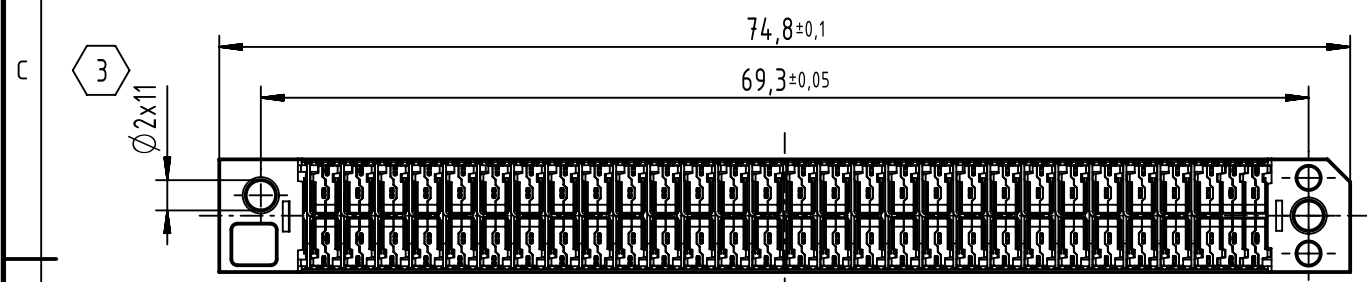


board layout (3:1)



- 1 recommended drill hole $\varnothing 0.64 \pm 0.01 \text{ mm}$
(acc. to IEC 60352-5)
through hole dia. (after plating): $\varnothing 0.55 \pm 0.05$
- 2 fixing-hole optional
non-metallized drillings
- 3 use self-tapping screws for plastics
2.2 x length,
e.g. HARTING part number: 09060019974
(length = pcb thickness + 6.5mm to 10mm)



missing dimensions and information acc. to PICMG MicroTCA.0
(Micro Telecommunications Computing Architecture Base Specification)



	All Dimensions in mm Original Size DIN A3		Scale 2:1	Free size tol.		Ref.
						Sub.
	All rights reserved		Created by HASSE	Inspected by LUETTERMANN	Standardisation HOFFMANN	Date 2016-07-20
	Department EC PD - DE					State Final Release
HARTING Electronics GmbH D-32339 Espelkamp			Title AMC for μ TCA Rev.3 press-fit with protection shield			Doc-Key / ECM-Nr. 100179135/UGD/011/B 500000106720
			Type TB	Number 16111705205000		Rev. B Page 1/1